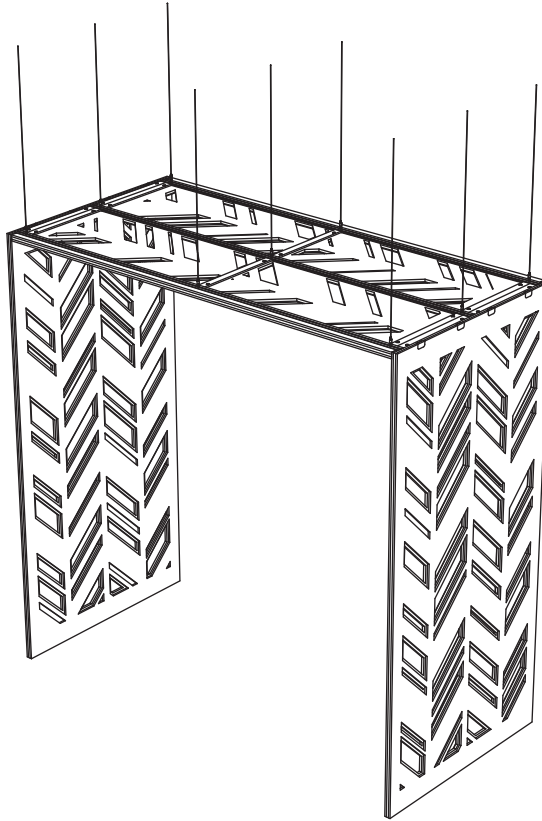


INSTALLATION INSTRUCTIONS

# SUSPENDED OFFICE SIMPLE MODULE



## INSTALLATION HARDWARE



**TOP PANEL**  
QUANTITY: 1U



**SIDE PANEL**  
QUANTITY: 2U



**UPPER SUSPENSION KIT**  
QUANTITY: 9U



**HEIGHT ADJUSTABLE WIRE RATCHET**  
QUANTITY: 9U



**STUD SCREW**  
QUANTITY: 9U +1 EXTRA

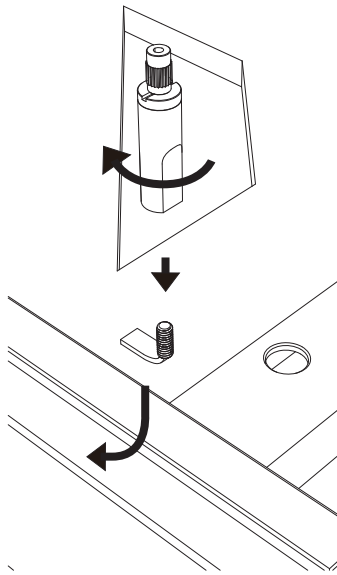
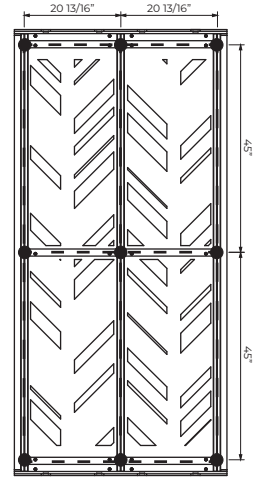
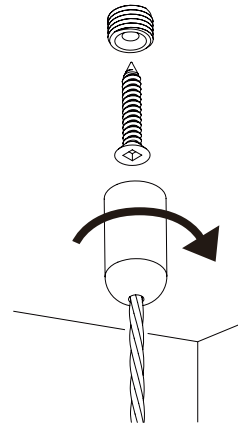
\*Images reflect typical hardware options. Please refer to packing list for items & quantities specific to your order

**RECOMMENDED TOOLS**  
Wrench

INSTALLATION INSTRUCTIONS

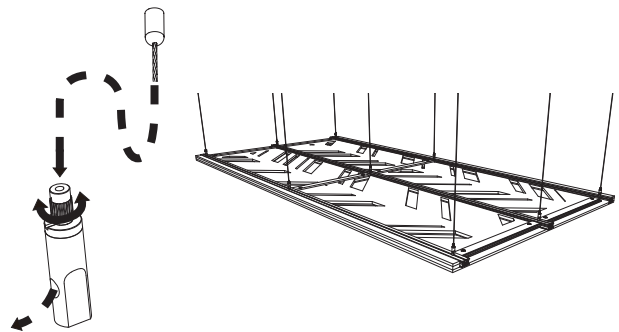
**SUSPENDED OFFICE SIMPLE MODULE**

- 1** Locate 9 suspension points on ceiling according to their location on the top panel and where the hanging office is installed.
- 2** Mount brass locators securely onto ceiling with appropriate fastener. *(not included)*
- 3** Thread top cap onto brass locator by hand only.



- 4** Insert the stud screws into the cavities on the top structural extensions to the desired locations.
- 5** Thread the Height Adjustable Wire Ratchet onto the stud screw by hand only.

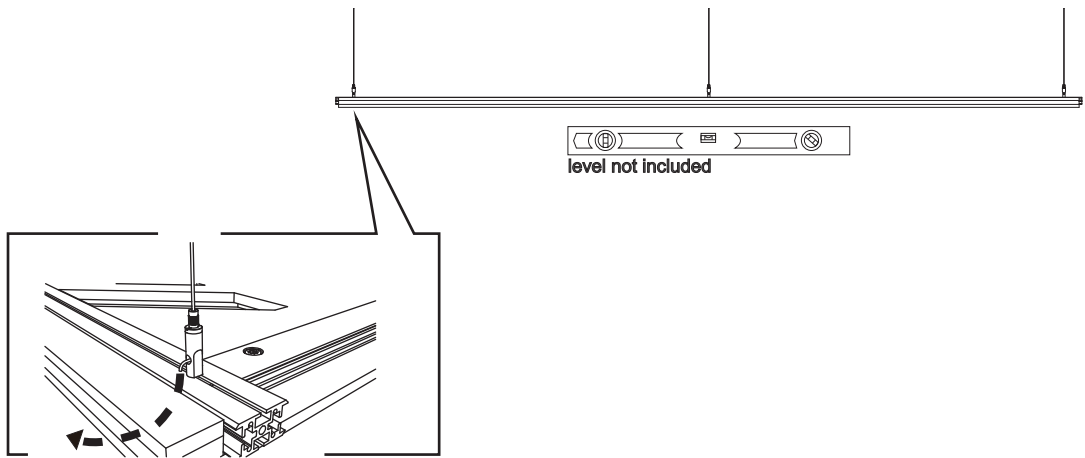
- 6** Loop the cable through Height Adjustable Wire Ratchet and adjust the height accordingly.



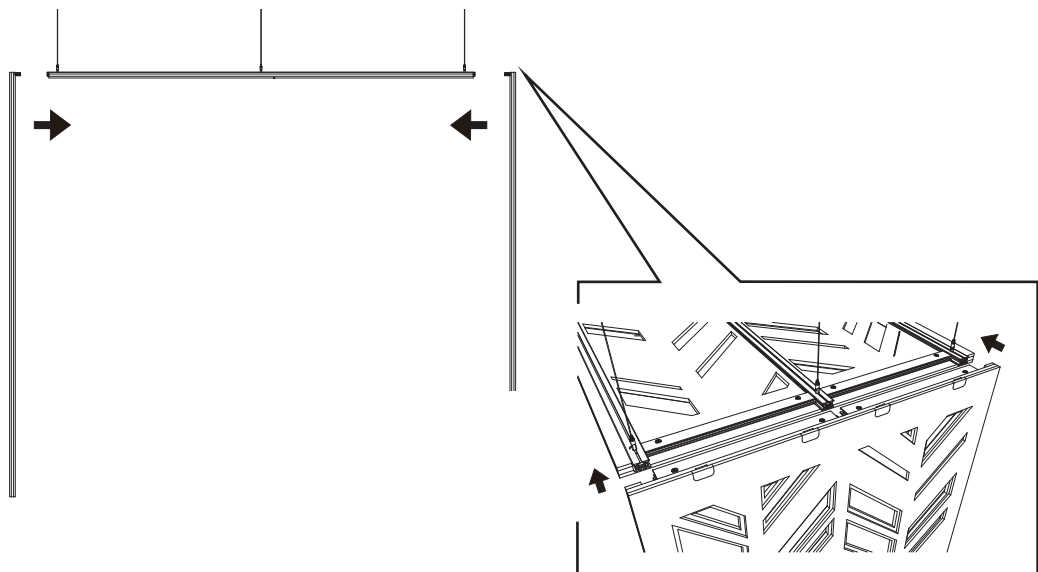
INSTALLATION INSTRUCTIONS

**SUSPENDED OFFICE SIMPLE MODULE**

- 7** Adjust the top panel to level with a level (not included) by pulling / releasing the cable through Height Adjustable Wire Ratchet, set the top panel to the desired height (bottom surface 106" to 97" to floor).



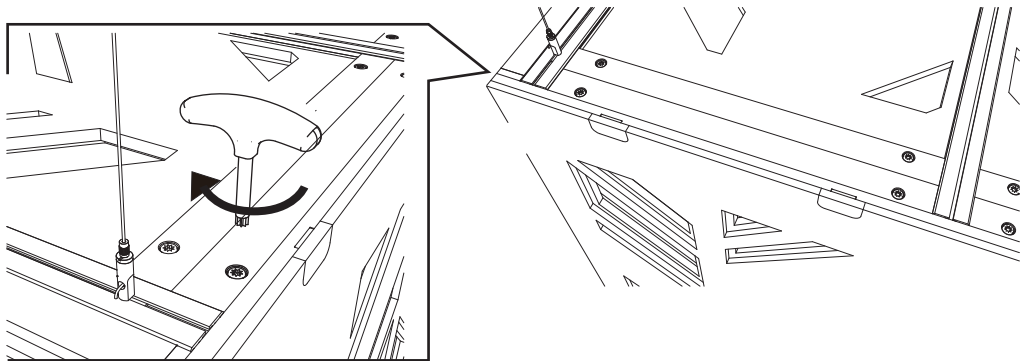
- 8** Attach the side panels to the top panel, sliding the extrusions prebuilt on the side panel into the slots of the horizontal extrusions until they touch the cross beams.



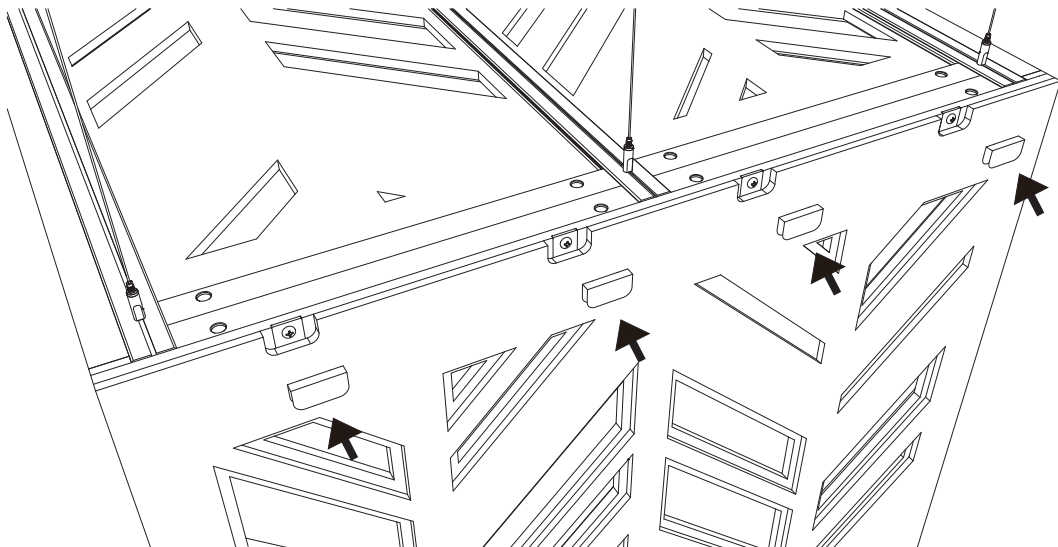
## INSTALLATION INSTRUCTIONS

**SUSPENDED OFFICE SIMPLE MODULE**

- 9** Use the wrench. Turn 90 degrees to lock the side panels onto the top panel.

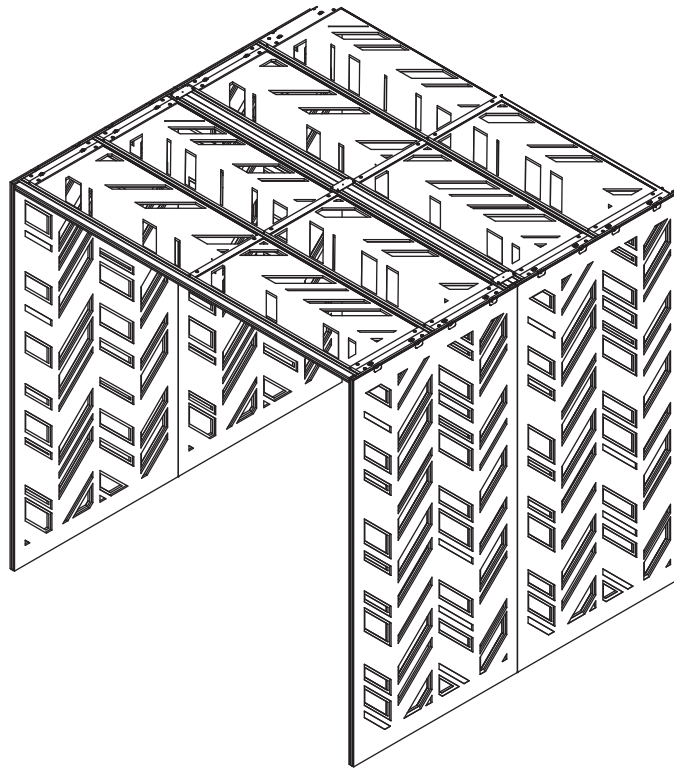


- 10** If the side panel is tilted, remove the 4 caps on each of the side panel and tighten the bolts to adjust the side panel to perfectly vertical. Replace Caps.



INSTALLATION INSTRUCTIONS

# SUSPENDED OFFICE DOUBLE MODULE



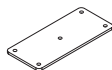
## INSTALLATION HARDWARE



**SINGLE UNIT**  
QUANTITY: 2U



**BOTTOM JOINER**  
QUANTITY: 2U



**UPPER JOINER**  
QUANTITY: 3U



**WING NUT**  
QUANTITY: 12U +1 EXTRA



**STUD SCREW**  
QUANTITY: 12U +1 EXTRA

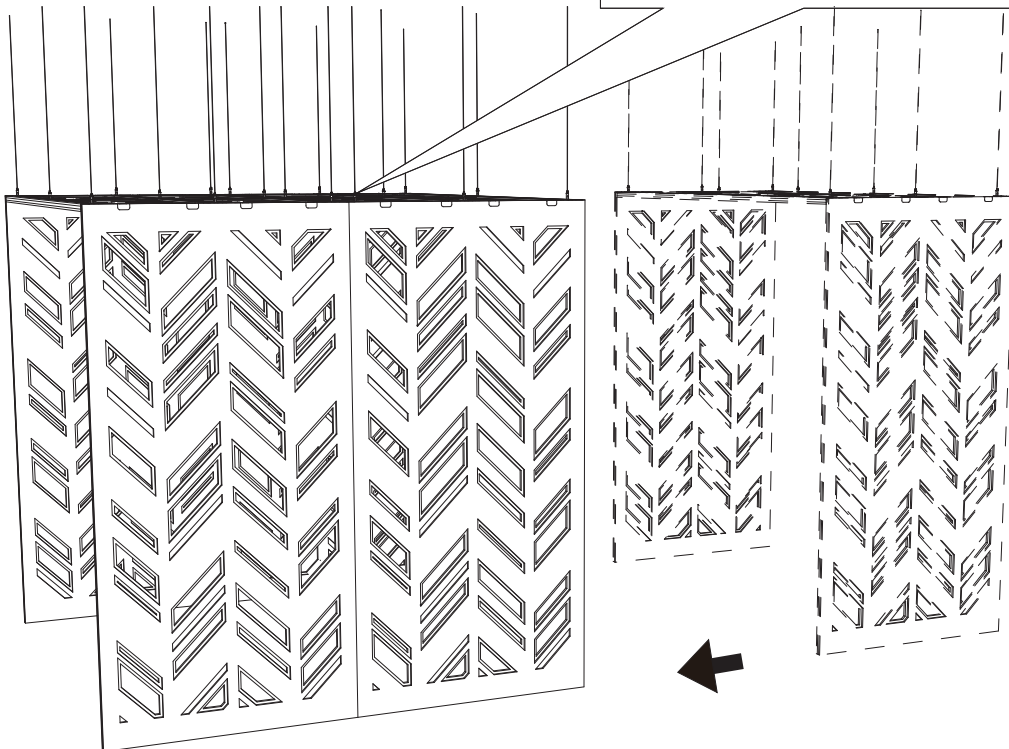
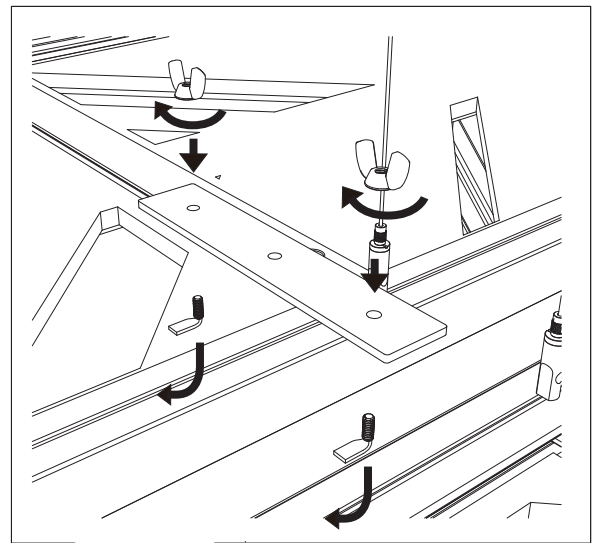
\*Images reflect typical hardware options. Please refer to packing list for items & quantities specific to your order

**RECOMMENDED TOOLS**  
Wrench

INSTALLATION INSTRUCTIONS

# SUSPENDED OFFICE DOUBLE MODULE

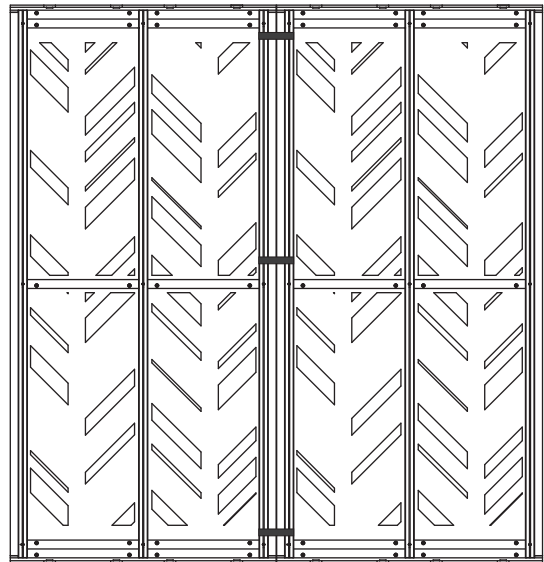
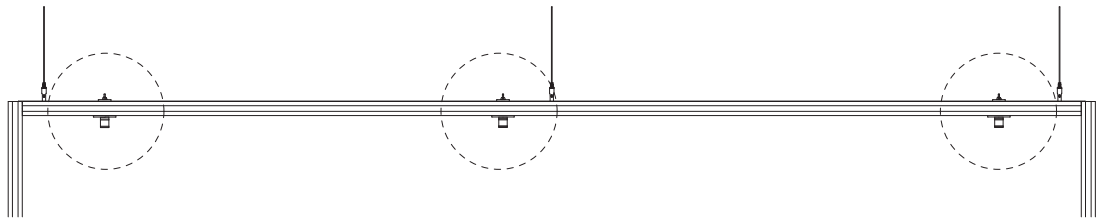
- 1** Install 2 sets of Hanging Office single units side by side.
- 2** Insert the 12 stud screws in pairs into the cavities of the adjacent horizontal extrusions of the 2 units. Put the 3 upper joiners on the threaded stem of the stud screws through the 4 outside holes. Tighten the joiner with wing nuts by hand only. (Avoid the suspension locations)



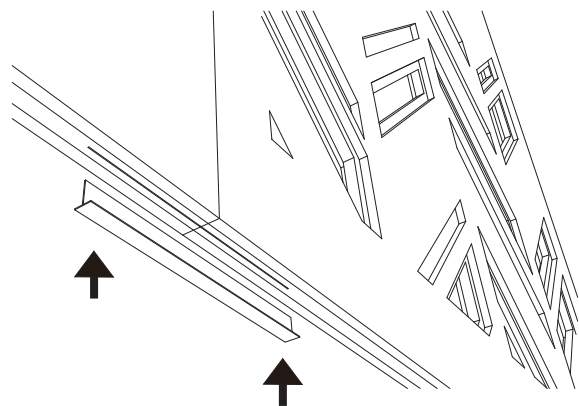
INSTALLATION INSTRUCTIONS

**SUSPENDED OFFICE DOUBLE MODULE**

**3** Upper joiner locations.

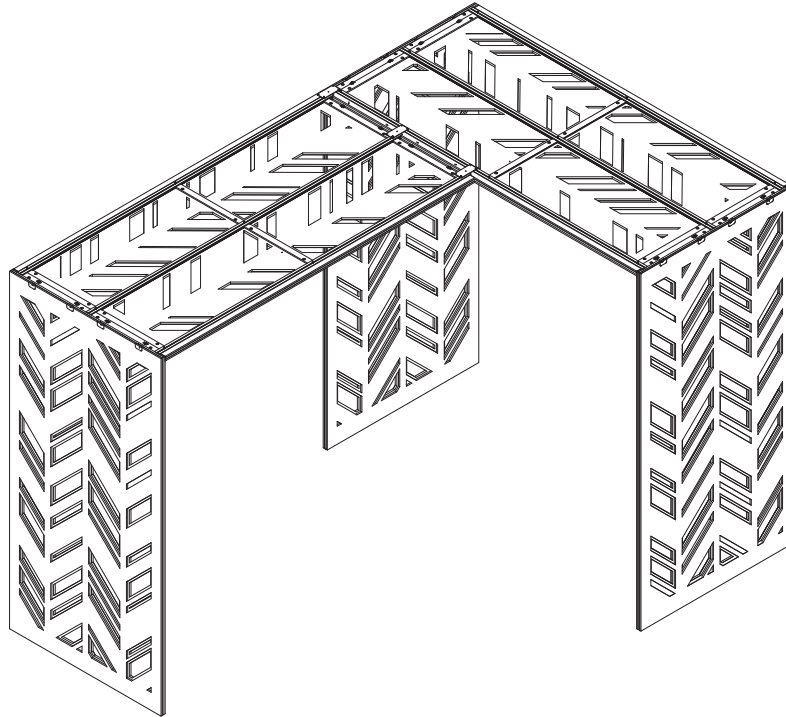


**4** Insert the bottom joiner piece into the pre-cut slot on the middle layer.



INSTALLATION INSTRUCTIONS

**SUSPENDED OFFICE L MODULE**



**INSTALLATION HARDWARE**



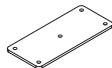
**SINGLE UNIT**  
QUANTITY: 2U



**BOTTOM JOINER**  
QUANTITY: 2U



**WING NUT**  
QUANTITY: 12U +1 EXTRA



**UPPER JOINER**  
QUANTITY: 3U



**STUD SCREW**  
QUANTITY: 12U +1 EXTRA

\*Images reflect typical hardware options. Please refer to packing list for items & quantities specific to your order

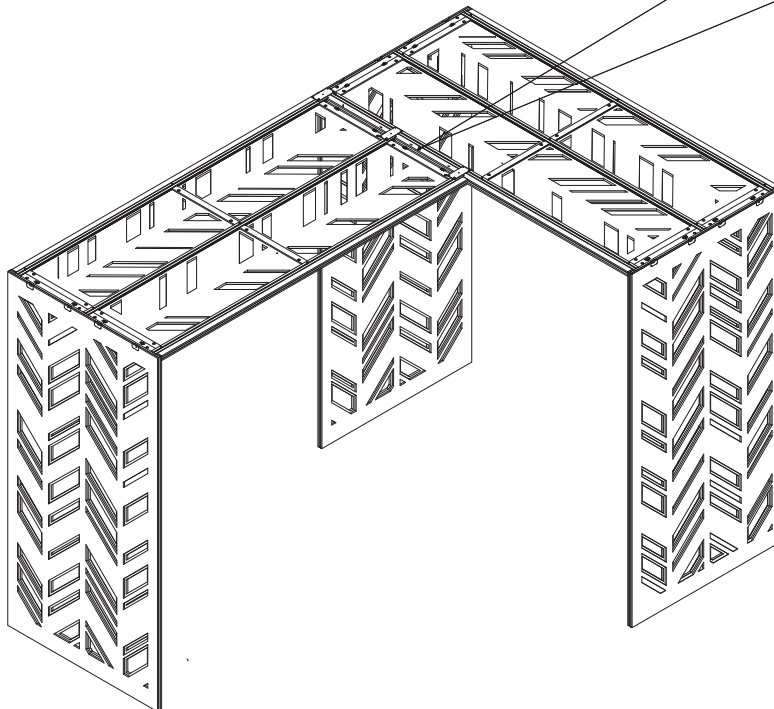
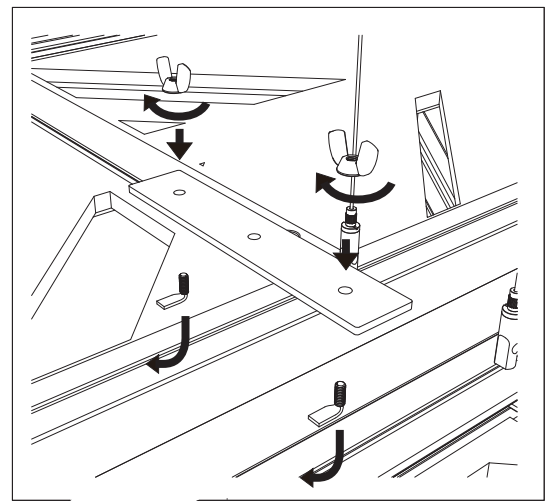
**RECOMMENDED TOOLS**  
Wrench



INSTALLATION INSTRUCTIONS

**SUSPENDED OFFICE L MODULE**

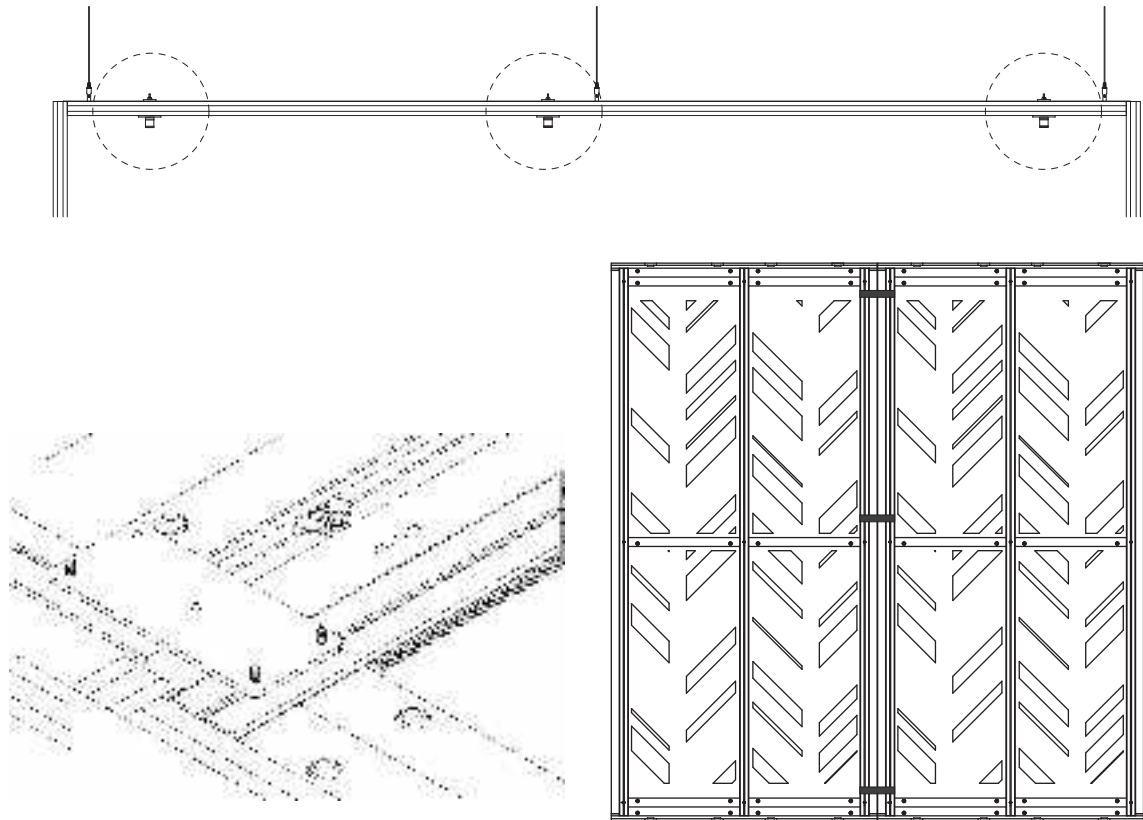
- 1 The 2 modules should be at right angles as shown in the image.
- 2 Insert the 12 stud screws in pairs into the cavities of the adjacent horizontal extrusions of the 2 units. Put the 3 upper joiners on the threaded stem of the stud screws through the 4 outside holes. Tighten the joiner with wing nuts by hand only. (Avoid the suspension locations)



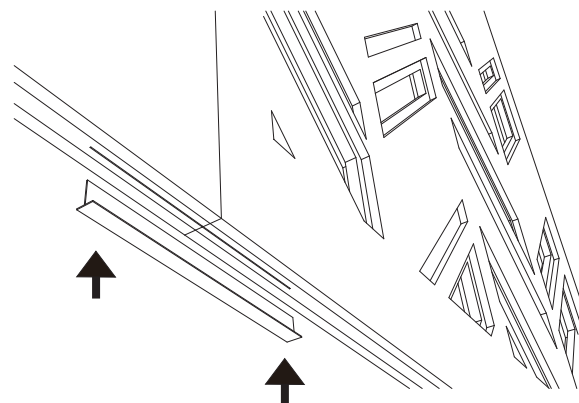
INSTALLATION INSTRUCTIONS

**SUSPENDED OFFICE L MODULE**

**3** Upper joiner locations.



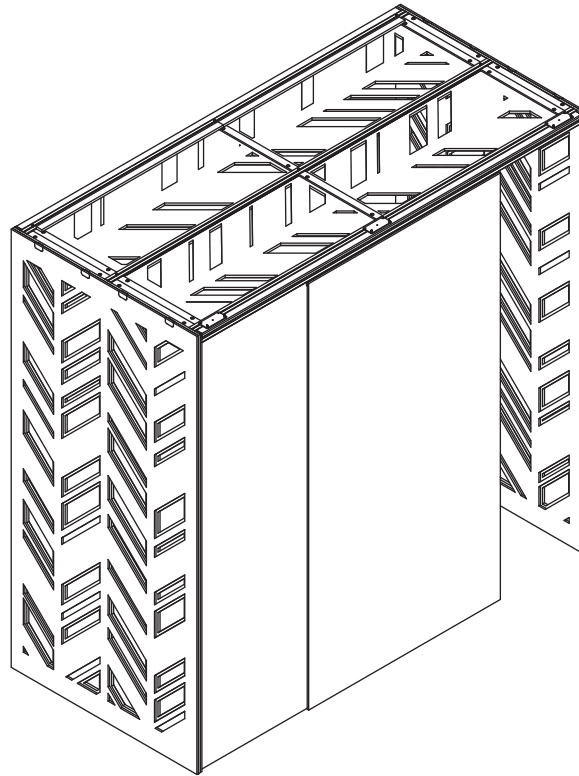
**4** Insert the bottom joiner piece into the pre-cut slot on the middle layer.



INSTALLATION INSTRUCTIONS

# SUSPENDED OFFICE ACCESORIES

## SLIDING PANEL



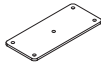
### INSTALLATION HARDWARE



**WORK ZONE DIVIDER**  
QUANTITY: 2U



**BOTTOM JOINER**  
QUANTITY: 2U



**UPPER JOINER**  
QUANTITY: 3U



**WING NUT**  
QUANTITY: 12U +1 EXTRA



**SLIDING TRACK**  
QUANTITY: 1U



**STUD SCREW**  
QUANTITY: 6U +1 EXTRA

\*Images reflect typical hardware options. Please refer to packing list for items & quantities specific to your order

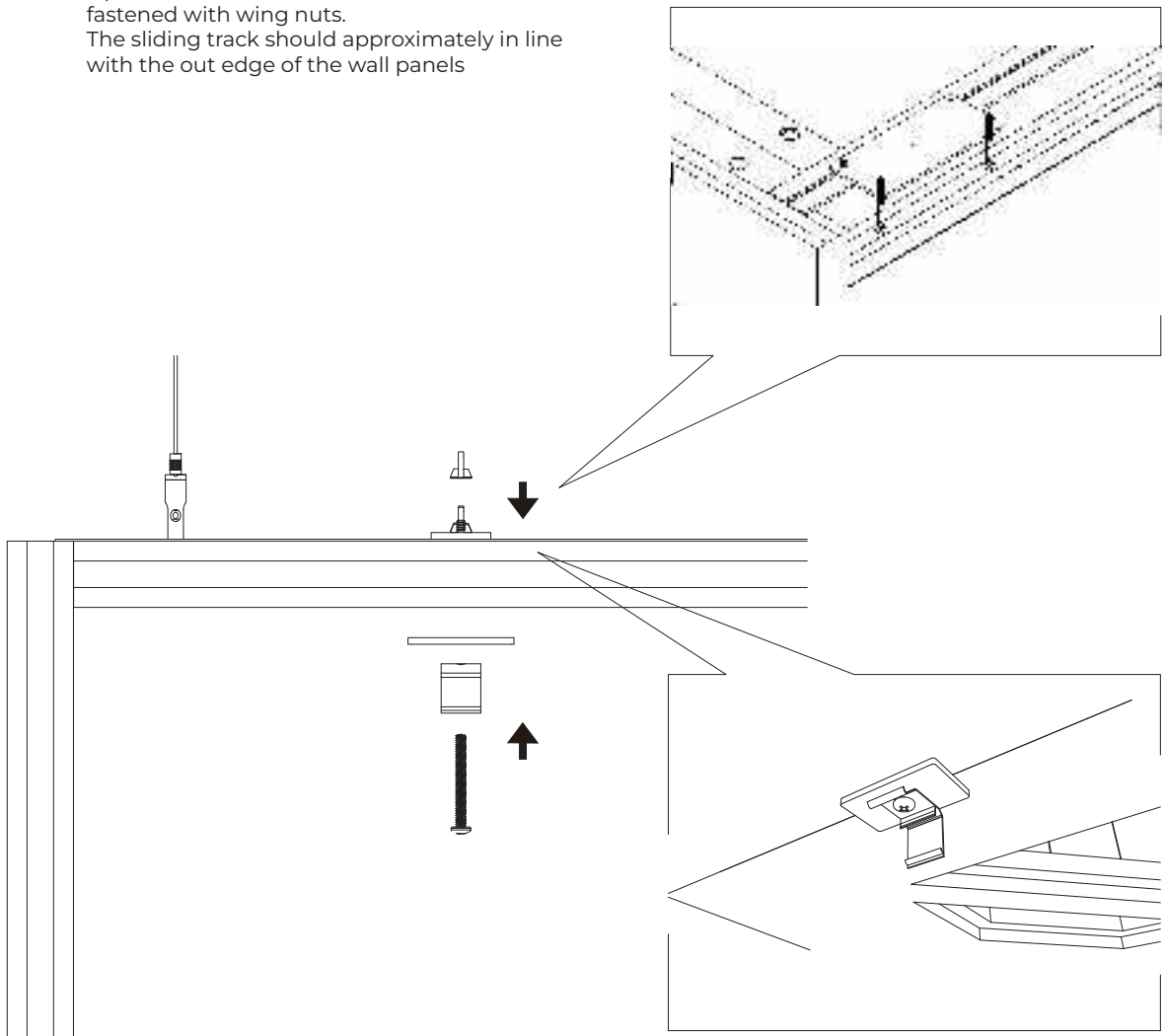
**RECOMMENDED TOOLS**  
Wrench

INSTALLATION INSTRUCTIONS

**SUSPENDED OFFICE** ACCESORIES

**SLIDING PANEL**

- 1 Place the joiner plate along the longer width on the outer extrusion where the door panels will do.
- 2 Fasten 2 stud screws with wing nuts. Drill clearance hole in the sliding track and insert the flat head screw to align with the holes on the joiner plate. 3 plates will accommodate 6 screw in total and fastened with wing nuts. The sliding track should approximately in line with the out edge of the wall panels

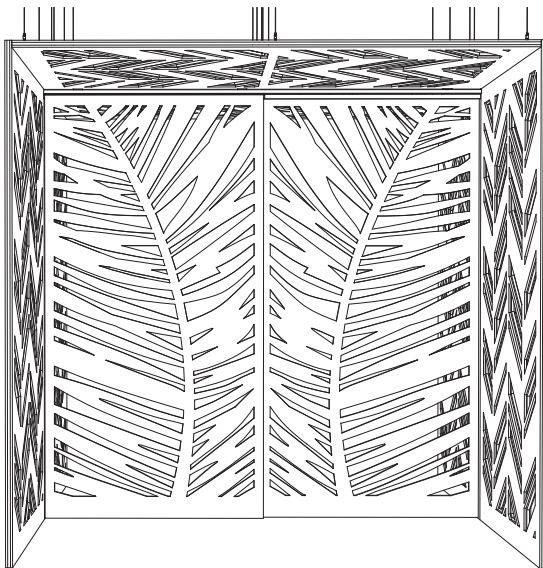
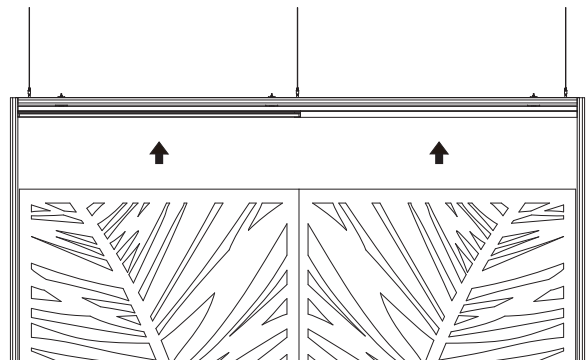
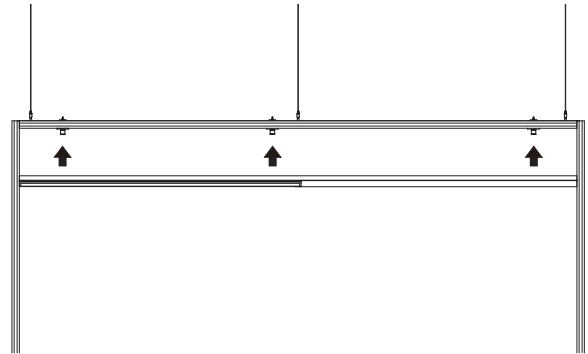


INSTALLATION INSTRUCTIONS

# SUSPENDED OFFICE ACCESSORIES

## SLIDING PANEL

- 3** Attach the sliding track onto the sliding track bracket.
- 4** Work Zone Dividers have velcro strips on the top, attach that part onto the moving bar of the sliding track.



## UNITED STATES

---

### **Ayrsonics Mid West LLC**

170 Prairie Lake Rd  
East Dundee, IL 60118  
P: 1-800-517-0686  
sales@mw.ayrsonics.com

### **Ayrsonics Southwest LLC**

8934 Eton Ave  
Canoga Park, CA 91304  
213-833-9700  
sales@sw.ayrsonics.com

### **Ayrsonics New England LLC**

32 Hampshire Rd  
Salem, NH 03079  
P: 603-824-9338 ext. 3001  
P: 603-327-4349  
sales@ne.ayrsonics.com

## CANADA

---

### **Ayrsonics Inc - Ontario**

825 Trillium Drive  
Kitchener, Ontario N2R 1J9  
P: 1-844-441-1122  
sales@ayrsonics.com

### **Ayrsonics Inc - Alberta**

#9112 – 52nd St. S.E.  
Calgary, Alberta T2C 5A9  
P: 1-844-441-1122  
sales@ayrsonics.com

### **EzoBord Corporate Office**

6845 Rexwood Road,  
Unit 7 Mississauga,  
ON L4V 1S5 Canada  
+1 416 665 3571  
info@ezobord.com

## CENTRAL & LATIN AMERICA

---

### **EzoBord Costa Rica SRL**

100 Sur 25 Oeste Recope  
Bodega #18 Ochomogo, Cartago  
+506 8842 4613  
info-latam@ezobord.com

### **EzoBord - LATAM**

Buenos Aires, Argentina  
+54 9 11 5657 1793  
info-latam@ezobord.com

## UNITED KINGDOM

### **EzoBord UK Ltd**

Unit 20 Westwood Business Park  
Margate, Kent. CT9 4JJ  
+44 1843 264027  
sales@ezobord.co.uk

## IRELAND

### **EzoBord Ireland**

Unit 523, Greenogue Business Park  
Rathcoole, Co. Dublin D24 RY89  
+353 (0)1 443 3599  
sales@ezobord.ie

FOLLOW US

